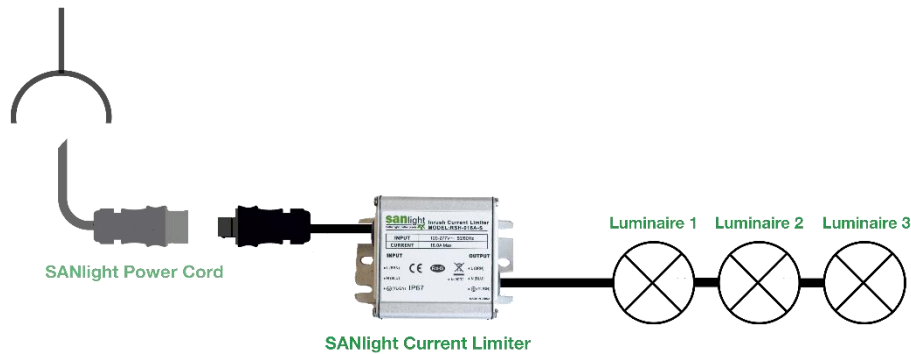


Inrush Current Limiter

Product description

16A Continuous Current Inrush Current Limiter



Pic: Inrush Current Limiter

Features

- Limit Inrush Current to 16A
- IP67 Waterproof
- Integrated Bypass Relay
- 5 Years Warranty

Application

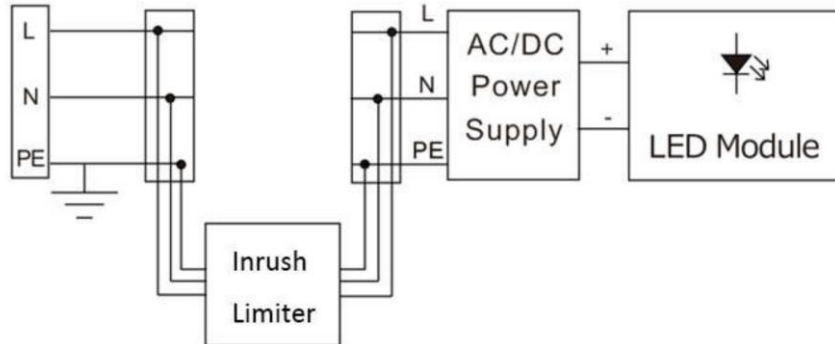
- Capacitive Load, High Inrush Current Load

Technical Data

Input	100~264Vac 50/60Hz, 16Amax
Max. Inrush Current	40.0A @240Vac
Max. Working Current	16.0A
Dimensions	102.0x68.0x38.5 by mm (body), 128.0x68.0x38.5 by mm (endcaps included)
Connecting wire	H05RN-F 3*1.5 mm ² , L=Brown; N=Blue; PE=Yel-low/Green)
Working environment	Temperature : -40°C~+85°C ; Relative humidity : ≤95%
Shell protection grade	IP67
Weight	0.33kg

Inrush Current Limiter

Wiring Diagram



Installation Notice

1. The device should be installed/connected in series with the luminaire system.
2. Incorrect installation may significantly impair the performance of the Inrush Limiter. It is particularly important that all installation procedures and guidelines be followed exactly.
3. Before starting any installation procedures, verify service voltage (AC or DC) with a volt meter to ensure that the correct model has been selected for the supply voltage. Do not install the Inrush Limiter if measured voltage exceeds unit ratings.
4. Install the Inrush Limiter as close to luminaire or driver as possible.
5. Remove power from electrical system prior to installation.
6. Ensure that all connections are correct before energizing.
7. Never install on an ungrounded system

Mechanical Design

